

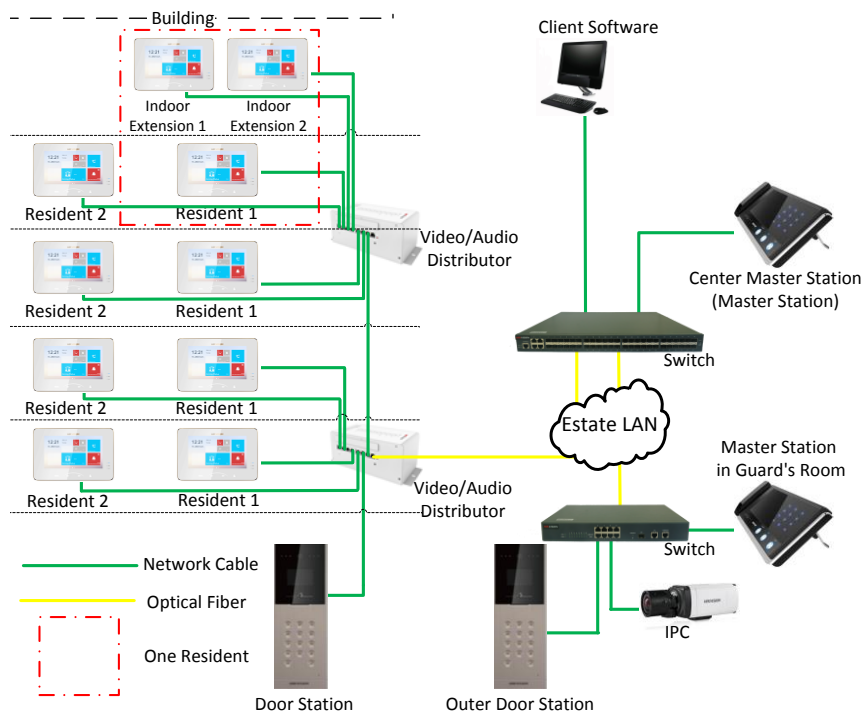
DS-KH8301-WT/DS-KH8300-T Video Intercom Indoor Station with 7-inch Touch Screen

Key Features

- Video intercom function
- Remote unlocking function
- Resident-to-resident video/audio call
- Live view of HD video
- Voice message function
- Auto-respond and no disturbing mode
- Noise suppression and echo cancellation
- 8-ch zone alarm and SOS calling function
- Community notice
- Convenient installation with the bracket, batch configuration, and power over video/audio distributor (DS-KAD606, DS-KAD612)



Typical Application



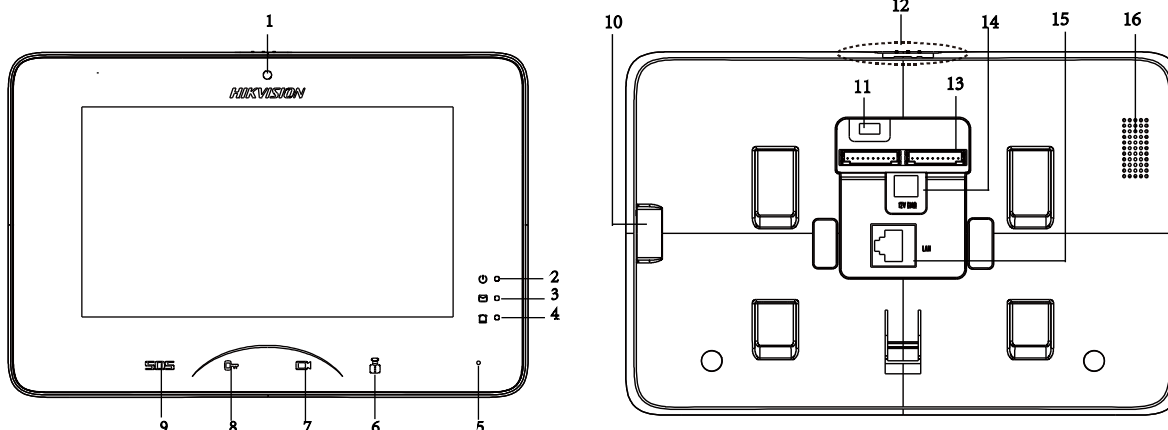
Specifications

Model		DS-KH8301-WT	DS-KH8300-T
System parameters	Processor	High-Performance Embedded SOC Processor	
	Operation system	Embedded Linux Operation System	
Video parameters	Camera	CMOS 0.3 MP, Mechanical Switch	
	Video compression standard	H.264	
	Resolution	640 x 480	
	Video frame rate	PAL: 25 fps, NTSC: 30 fps	
Display parameters	Display screen	7-Inch Colorful TFT LCD	
	Display resolution	800 × 480	
	Operation method	Capacitive Touch Screen, Touch Key	
	Operation interface	Flattened UI Operation Interface	
Audio parameters	Audio input	Built-in Omnidirectional Microphone	
	Audio output	Built-in Loudspeaker	
	Audio compression standard	G.711 U	
	Audio compression rate	64 Kbps	
	Audio quality	Noise Suppression and Echo Cancellation	
Network parameters	Ethernet	10/100 Mbps Self-Adaptive Ethernet	
	Network protocol	TCP/IP, SNMP, SIP, RTSP	
Alarm parameters	Alarm input	8-ch Alarm Input Sensor	
Device interfaces	Network interface	1 RJ-45 10/100 Mbps Self-Adaptive Ethernet Interface	
	RS-485	1 RS-485 Half-Duplex Port	
	I/O output	2	
	TF card (micro SD card)	TF Card, Support Max. 32GB	
General	Power supply	24 VDC, Power Over Network Cable (DS-KAD606, DS-KAD612) 12 VDC	
	Power consumption	≤10 W	
	Working temperature	-10° C to + 55° C (14° F to 131° F)	
	Working humidity	10% to 90%	
	Dimensions (L × W × H)	217 mm × 142 mm × 26 mm (8.5" × 5.6" × 1.0")	
	Certification	FCC, IC, CE, C-TICK, ROHS, REACH, WEEE	

Available Models

DS-KH8300-T, DS-KH8301-WT

Appearance and Interfaces



Index	Description	Index	Description
1	Built-in Camera (Only DS-KH8301-WT support)	9	SOS Touch Key
2	Power Supply Indicator	10	TF Card Slot
3	Information Indicator	11	Serial Port
4	Alarm Indicator	12	Mechanical Switch of Built-in Camera
5	Microphone	13	Terminals and Interfaces of Cables
6	Management Center Touch Key	14	12 VDC Power Supply
7	Live View Touch Key	15	Network Interface (Support Private POE)
8	Unlock Touch Key	16	Loudspeaker

Distributed by

Headquarters

No.555 Qianmo Road, Binjiang District,
Hangzhou 310051, China
T +86-571-8807-5998
overseasbusiness@hikvision.com

Hikvision USA
T +1-909-895-0400
sales.usa@hikvision.com

Hikvision Europe
T +31-23-5542770
saleseuro@hikvision.com

Hikvision Middle East
T +971-4-8816086
salesme@hikvision.com

Hikvision Russia
T +7-495-669-67-99
saleru@hikvision.com

Hikvision India
T +91-22-28469900
sales@pramahikvision.com

Hikvision Italy
T +39-0438-6902
info.it@hikvision.com

Hikvision France
T +33(0)1-85-330-444
info.fr@hikvision.com

Hikvision Spain
T +34-91-737-16-55
info.es@hikvision.com

Hikvision Poland
T +48-22-460-01-50
poland@hikvision.com

Hikvision UK
T +44-1628-9021-4
support.uk@hikvision.com

Hikvision Singapore
T +65-6684-4718
sg@hikvision.com

Hikvision Oceania
T +61-2-8599-4233
salesau@hikvision.com

Hikvision Hong Kong
T +852-2151-1761

Hikvision Canada
T +1-909-895-0400
sales.usa@hikvision.com